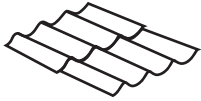


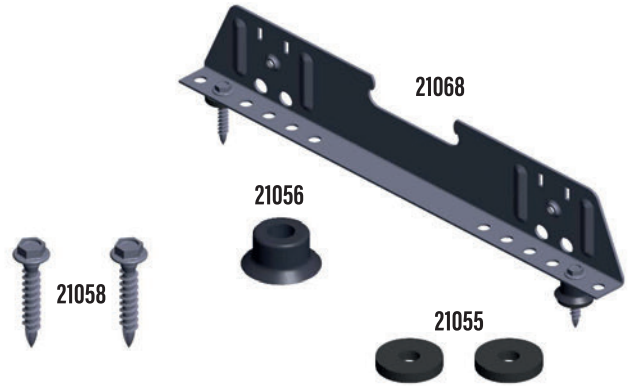
RAULI

CATALOG 2022

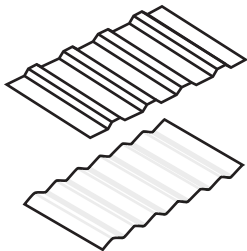
01. TILE SHAPE STEEL SHEET ROOF



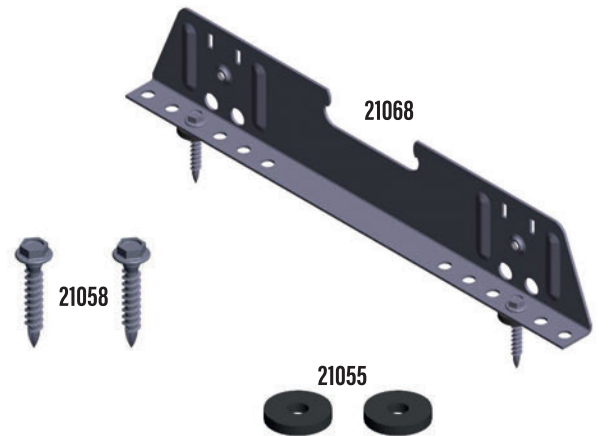
- 21068 All In One bracket
- 21058 R Safety screw 7x50mm - 2pcs
- 21055 Rubber rings - 2pcs
- 21056 Plastic extension parts - 1pcs



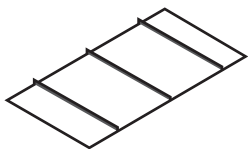
02. STEEL SHEET ROOF, BITUMEN ROOF



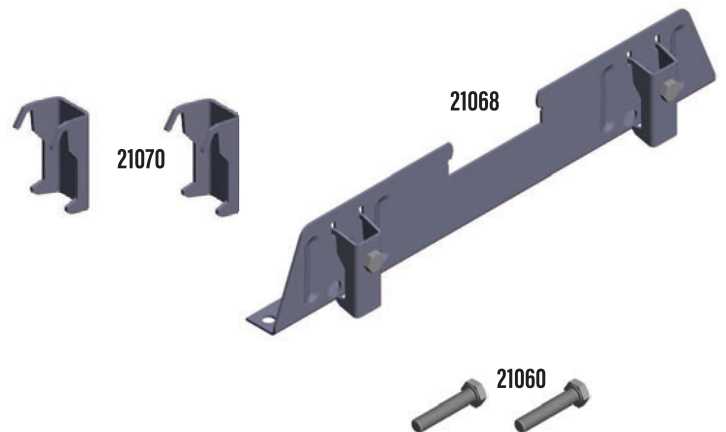
- 21068 All In One bracket
- 21058 R Safety screw 7x50mm - 2pcs
- 21055 Rubber rings - 2pcs

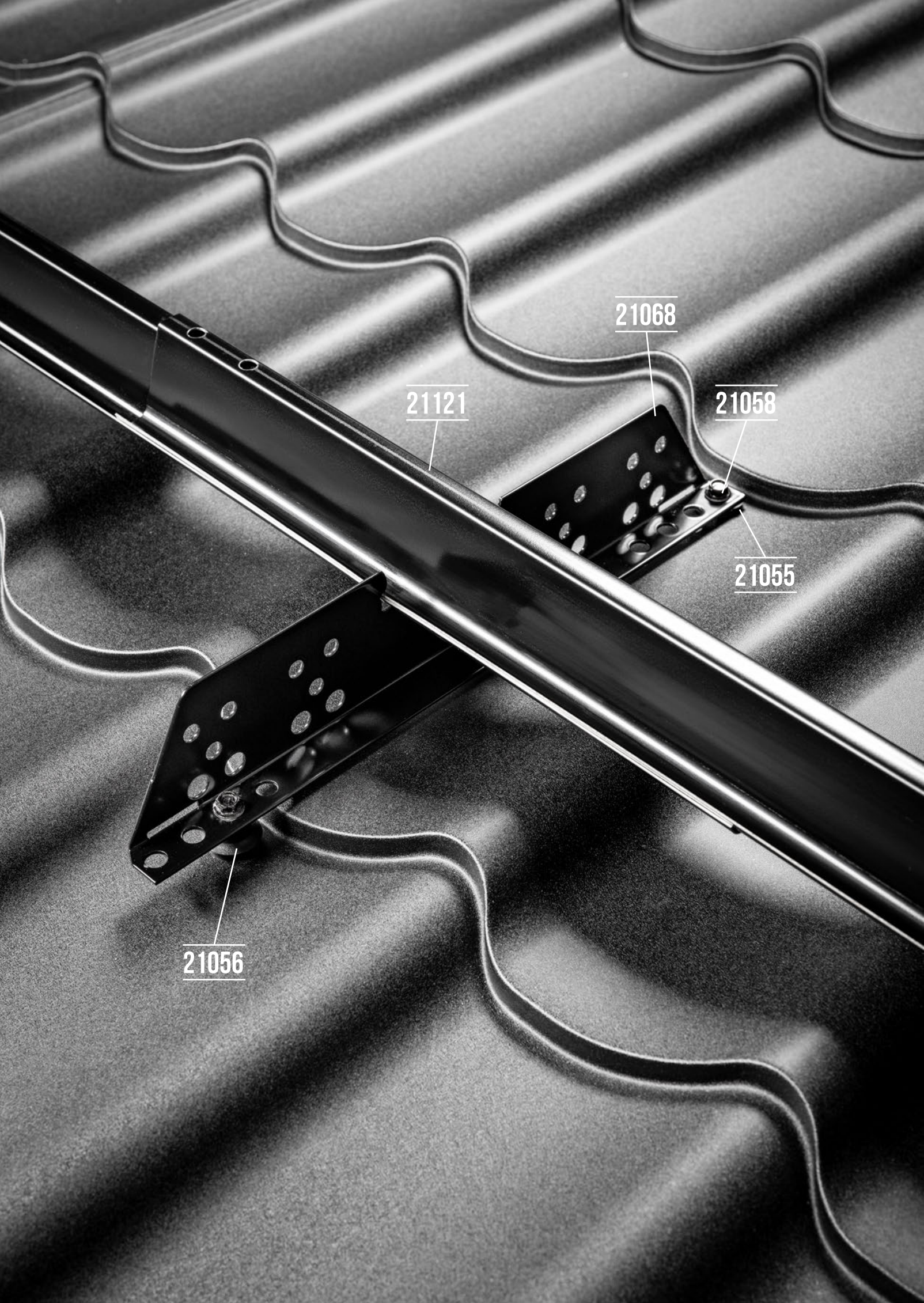


03. STANDING SEAM ROOF



- 21068 All In One bracket
- 21070 Seam roof hook - 2pcs
- 21060 Bolt M8 x 40mm - 2pcs





21121

21068

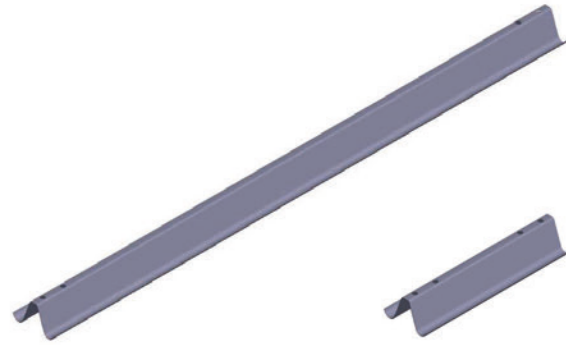
21058

21055

21056

04. RAILS

- 21083 0,30m Rail
- 21135 1,13m Rail
- 21136 2,21m Rail
- 21121 2,70m Rail
- 21091 5,30m Rail



05. INTERMEDIATE CLAPS

- 21086 Middle Clamp 32-40mm **BLACK**
- 21087 Middle Clamp 32-40mm **GREY**
- 21137 Middle Clamp 25-35mm **BLACK**
- 21138 Middle Clamp 25-35mm **GREY**



06. END CLAMPS

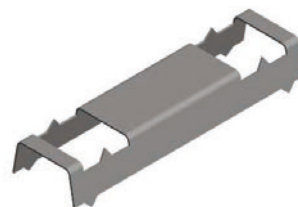
- 21134 End Clamp 30mm **BLACK**
- 21133 End Clamp 30mm **GREY**
- 21066 End Clamp 35mm **BLACK**
- 21067 End Clamp 35mm **GREY**
- 21059 Bolt M8x20 **BLACK** (1pcs/clamp)
- 21080 Bolt M8x20 **GREY** (1pcs/clamp)
- 21082 Nut M8 (1pcs/clamp)



07. END CLAMPS

One for each panel

- 21071 Earthing plate Stainless steel





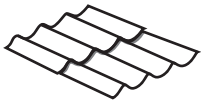
21133

21080

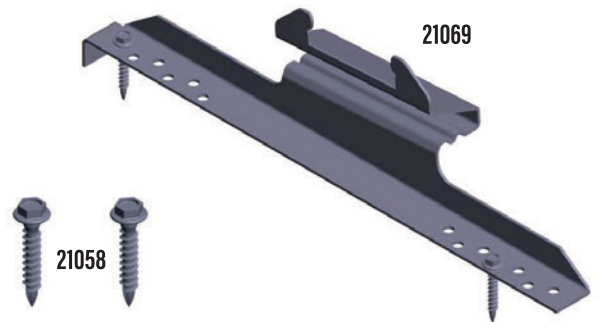
21121

21069

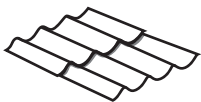
08. TILE ROOF



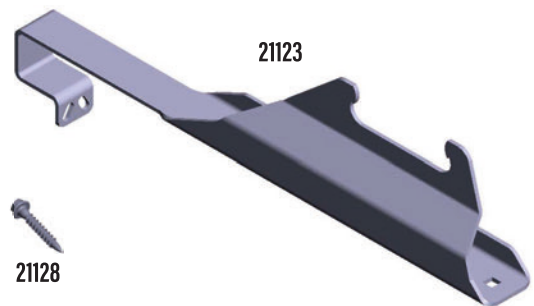
21069 Strong bracket
21058 R Safety screw 7x50mm - 2pcs



09. TILE ROOF NORDIC



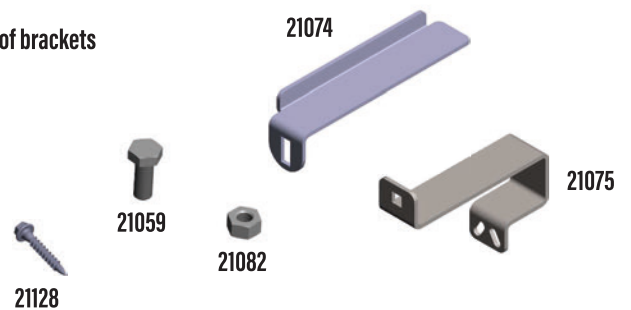
21123 Strong Nordic bracket
21128 Sharp point screw 4,8x25mm



10. TILE ROOF NORDIC EXTRAPARTS

21074 Add on 1 L-profile
21075 Add on 2 Hook
21059 Bolt M8x20 BLACK 1pcs
21082 Nut M8
21128 Sharp point screw 4,8x25mm

For bottom row of brackets





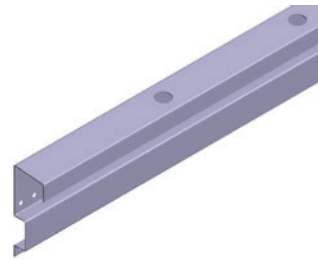
21093

21097

21094

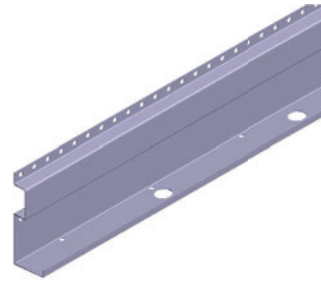
11. RAULI WALL TOP RAIL

21093 Top rail 3 meter
The wall material defines the screw to be used



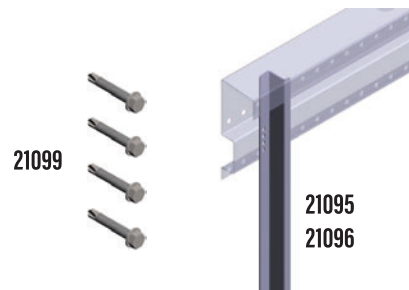
12. RAULI WALL BOTTOM RAIL

21094 Bottom Rail 3 meter
the wall material defines the screw to be used



13. RAULI WALL END PROFILE

21095 End Profile
21096 End profile short
21099 Screw 6,3x38mm drill head - 4pcs



14. RAULI WALL MIDDLE CLAMP

21097 Intermediate Clamp
21099 Screw 6,3x38mm drill head - 1pcs



15. RAULI WALL EARTH PLATE

21098 Earthing plate

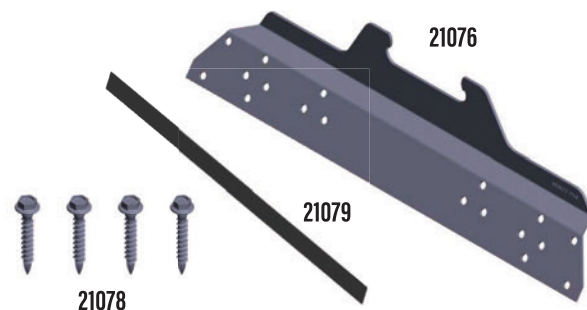


16. SELF SUPPORTING METAL SHEET ROOF

21076 All Black T45-70 High profile metal

21078 Screw T45-70 7x40mm - 4pcs

21079 Sealing tape 25m roll T45-70

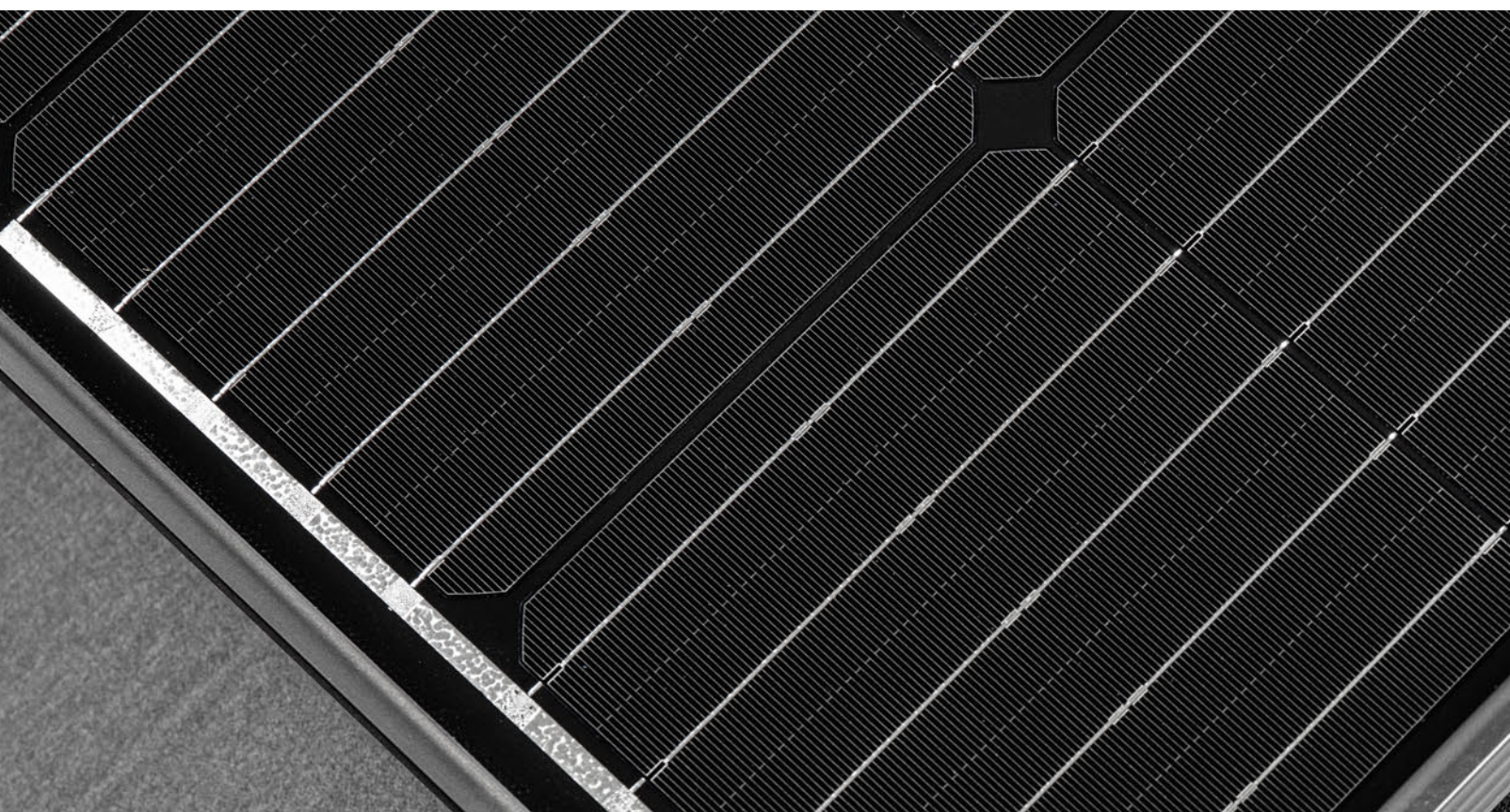
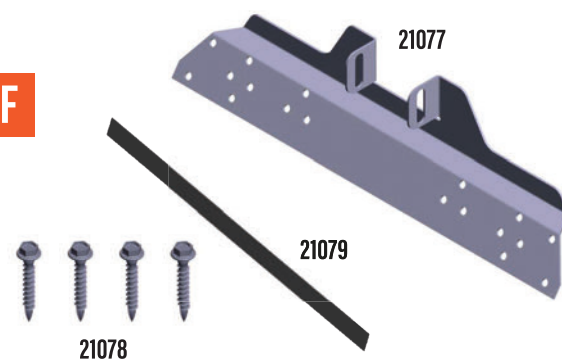


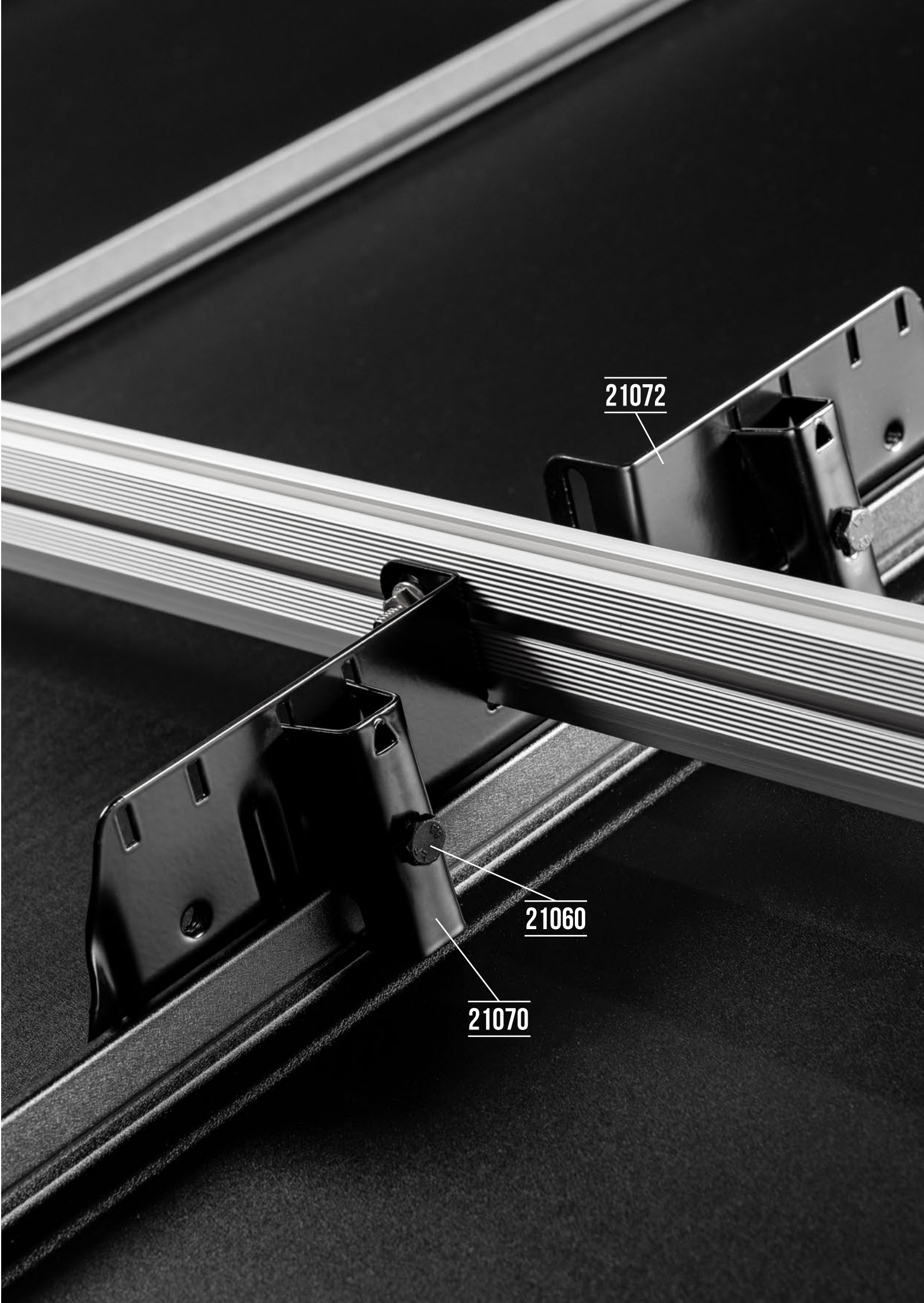
17. NORDIC PRO SELF SUPPORTING METAL SHEET ROOF

21077 Nordic Pro T45-70 High profile metal

21078 Screw T45-70 7x40mm - 4pcs

21079 Sealing tape 25m roll T45-70



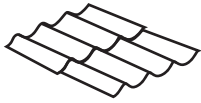


21072

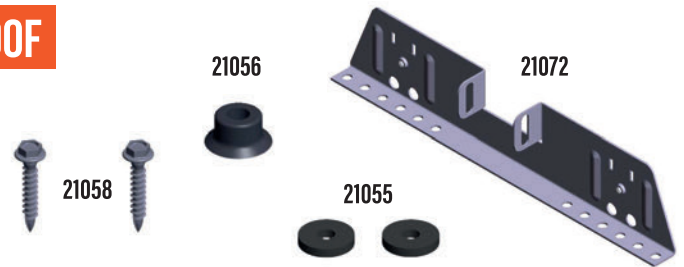
21060

21070

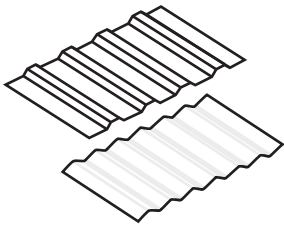
18. NORDIC PRO TILE SHAPE STEEL SHEET ROOF



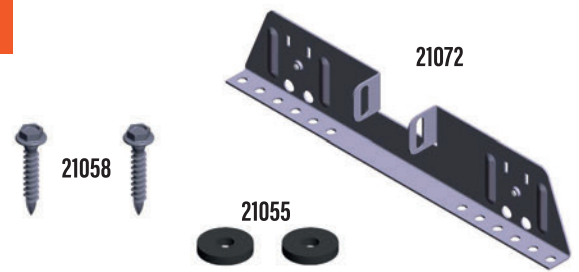
- 21072 NORDIC PRO All In One bracket
- 21058 R Safety screw 7x50mm - 2pcs
- 21055 Rubber rings - 2pcs
- 21056 Plastic extension parts - 1pcs



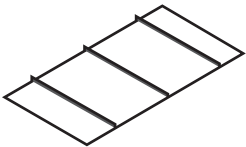
19. NORDIC PRO STEEL SHEET ROOF, BITUMEN ROOF



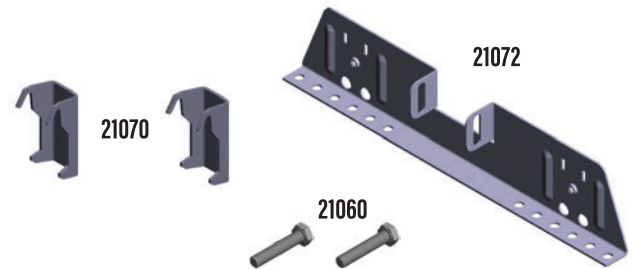
- 21072 NORDIC PRO All In One bracket
- 21058 R Safety screw 7x50mm - 2pcs
- 21055 Rubber rings - 2pcs



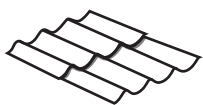
20 . NORDIC PRO STANDING SEAM ROOF



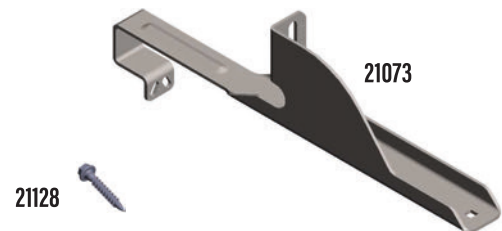
- 21072 NORDIC PRO All In One bracket
- 21070 Seam roof hook - 2pcs
- 21060 Bolt M8 x 40mm - 2pcs



21. NORDIC PRO TILE ROOF



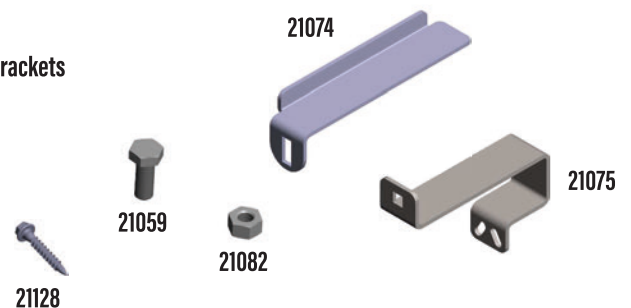
- 21073 Strong Nordic bracket
- 21128 Sharp point screw 4,8x25mm



22. TILE ROOF NORDIC EXTRAPARTS

- 21074 Add on 1 L-profile
- 21075 Add on 2 Hook
- 21059 Bolt M8x20 BLACK 1pcs
- 21082 Nut M8
- 21128 Sharp point screw 4,8x25mm

For bottom row of brackets



RAULI

Käpälämäenkatu 10-12
FI-11710 RIIHIMÄKI

tel. +358 19 278 3303
sales@raulibrackets.com