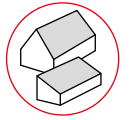




Accessories



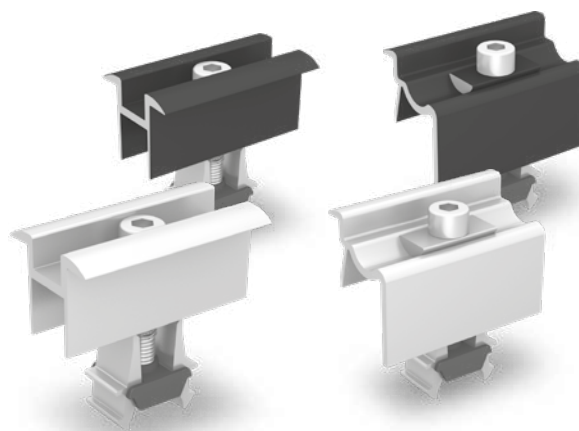
- ▶ Module clamps
- ▶ Self-drilling wood screw, flange head
- ▶ Thread-forming tapping screw with EPDM supported washer
- ▶ T-bolt and flange nuts with serration
- ▶ MK2 slot nuts with assembly clip
- ▶ Self-drilling wood screw, flange head, underhead secondary thread
- ▶ Self-drilling wood screw, countersunk head
- ▶ Screw anchor, Multi Monti
- ▶ Endcaps SingleRail 36
- ▶ Endcaps SolidRail
- ▶ Lightning protection clamp Multi Sets
- ▶ TerraGrif equipotential bonding
- ▶ Pad spacer
- ▶ Height Compensator for aluminium roof hooks
- ▶ L-Adapter SR Set
- ▶ Cable Manager
- ▶ CrossConnectors
- ▶ StairPlate Set
- ▶ RailUp Set

Module clamps

The module clamps cover the most common module frame heights of 30 – 42 mm. Compatible with SingleRail, SpeedRail, MultiRail and SolidRail.

Module middle clamps XS

| Module frame height / description | Item number |
|---|-------------|
| OneMid, middle clamp, aluminium mill finish | 2003071 |
| OneMid, middle clamp, black anodised | 2003072 |
| OneEnd, end clamp, aluminium mill finish | 2002514 |
| OneEnd, end clamp, black anodised | 2002589 |

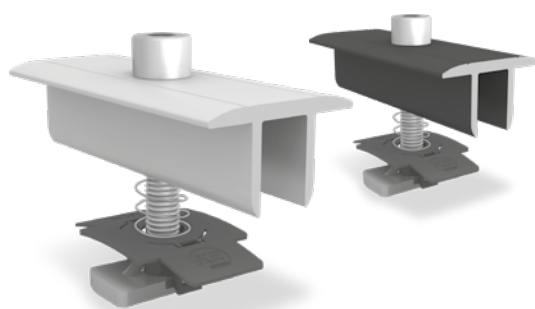


OneMid

OneEnd

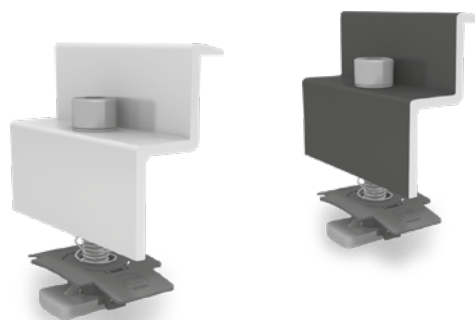
Module middle clamps XS

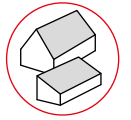
| Module frame height / description | Item number |
|---|-------------|
| 30 - 33 mm / M8×50, aluminium mill finish | 1005156 |
| 30 - 33 mm / M8×50, black anodised | 1005157 |
| 39 - 44 mm / M8×60, aluminium mill finish | 1004908 |
| 39 - 44 mm / M8×60, black anodised | 1005159 |
| 45 - 48 mm / M8×65, aluminium mill finish | 1005143 |
| 45 - 48 mm / M8×65, black anodised | 1005160 |
| 49 - 50 mm / M8×70, black anodised | 1004407 |
| 49 - 50 mm / M8×70, schwarz eloxiert | 1005161 |



Module end clamps

| Module frame height / description | Item number |
|---|-------------|
| 30 - 31 mm / M8×30, aluminium mill finish | 1005345 |
| 30 - 31 mm / M8×30, black anodised | 1005347 |
| 42 - 44 mm / M8×35, aluminium mill finish | 1005291 |
| 42 - 44 mm / M8×35, black anodised | 1005295 |
| 45 - 47 mm / M8×40, aluminium mill finish | 1005171 |
| 45 - 47 mm / M8×40, black anodised | 1005270 |
| 49 - 50 mm / M8×45, aluminium mill finish | 1005172 |





Module clamps for laminate modules

Module middle clamps for fastening laminate modules; approved for First Solar and Calyxo thin-film modules; small module spacing.

Material: Aluminium mill finish, EPDM

Please note: For additional anti-slip protection the K2 Slideguard is suitable for vertical mounting of laminate modules with a glass thickness of 6-9 mm.

Material: Stainless steel 1.4016, EPDM



| Type / accessory | Item number |
|---------------------|-------------|
| Module middle clamp | 1003157 |
| Module end clamp | 1003158 |
| Slideguard | 1005828 |

Self-drilling wood screw, flange head

Self-drilling wood screw with flange head [Topix] and star socket [Torx] from Heco. With European Technical Assessment [ETA] approval. Material: Stainless steel A2, matches TX 25/40 screwdrivers

| Type | Item number |
|-------|-------------|
| 6×80 | 2004106 |
| 6×100 | 2004107 |
| 8×80 | 2004111 |
| 8×100 | 2004112 |
| 8×120 | 2004113 |
| 8×160 | 2004115 |
| 8×180 | 2004116 |
| 8×200 | 2004117 |



Thread-forming tapping screw with EPDM supported washer

Approved for steel sheets with a minimum thickness of 0.4 mm and aluminium sheets with a minimum thickness of 0.5 mm. Thin sheet screw, virtually chip-free, SW 8, sealing washer Ø 16 mm.

Material: Stainless steel A2, EPDM

| Type | Item number |
|-----------|-------------|
| 6 × 25 mm | 1005207 |
| 6 × 38 mm | 1005193 |



T-bolt and flange nuts with serration

T-bolt for use in the lower chamber of K2 SolidRail rails. Head form: 28/15; head dimensions: 22.5 × 10.5 × 4 mm
Material: Stainless steel A2 1.4301

| Type | Item number |
|-----------|-----------------|
| M8×20/30 | 1000614/1000368 |
| M10×20/30 | 1000637/1000041 |



The flanged nut with serration [similar to ISO 4161] prevents it from loosening.

Material: Stainless steel A2

| Type | Item number |
|------|-------------|
| M8 | 1000043 |
| M10 | 1000042 |

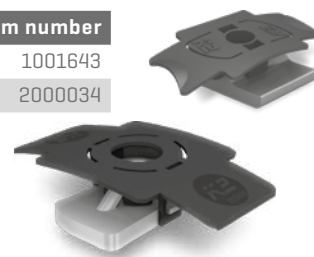


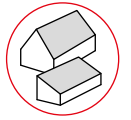
MK2 slot nuts with assembly clip

The MK2 slot nuts can be used at any point on the K2 rails. They automatically lock in place. Subsequently, they can easily be moved about in the rail by pressing them lightly.

Material: Stainless steel 1.4301 + PA or aluminium + PA

| Type | Item number |
|-----------------|-------------|
| Stainless steel | 1001643 |
| Aluminium | 2000034 |





Self-drilling wood screw, flange head, underhead secondary thread

Self-drilling wood screw [Heco] with flange head [Topix] and star socket [Torx]. With building approval. For mounting with over-rafter insulation. Fixes the counterbattens in place using a second screw thread under screw head. Material: Stainless steel A2; matches TX 40 screwdrivers
Item number: 1003437



Self-drilling wood screw, countersunk head

Self-drilling wood screw with countersunk head [Heco]. With building approval.
Material: Stainless steel A2; matches TX 25 screwdrivers
Item number: 2004108



Screw anchor, Multi Monti

Multi Monti screw anchor [Heco] for fastening to concrete; min. borehole depth 40 mm. Steel surface: galvanised and blue passivated, head diameter 17 mm, nominal bore diameter 6 mm
Material: Galvanised steel
Drive: TX 30



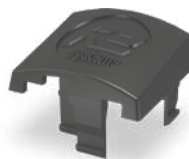
| Type | Item number |
|------------------|-------------|
| 7,5 x 40 [TX 30] | 2002570 |
| 10 x 70 [SW 13] | 2002571 |

Endcaps SingleRail 36

End caps for SingleRail 36.

Material: Glass fibre reinforced polyamide

Item number: 1004767

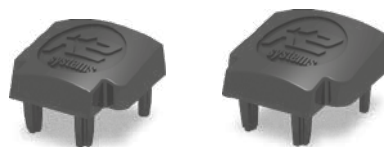


Endcaps SolidRail

End caps for K2 SolidRail.

Material: Glass fibre reinforced polyamide

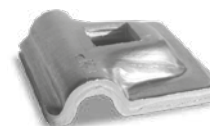
| Type | Item number |
|--------|-------------|
| Light | 1004765 |
| Medium | 1004766 |
| Alpin | 1005053 |



Lightning protection clamp Multi Sets

Lightning protection clamp for clamping lightning protection cables with \varnothing 8 mm.

For universal use as a T, cross, parallel and impact clamps. Material: aluminium



| Image | Type | Components | Item number |
|-------|--|--|-------------|
| | Lightning protection clamp Multi Alu 8 mm Set | <ul style="list-style-type: none"> Lightning protection clamp Multi [1003151], aluminium Slot nut [1001643], stainless steel, PA Washer [8,4×20×1.2 mm], stainless steel A2 Allen Bolt [M8×30], stainless steel A2 | 2002473 |
| | Lightning protection clamp 8 mm Double Set | <ul style="list-style-type: none"> 2× lightning protection clamps Multi [1003151], Aluminium Hexagon flange nut with serration M8 [100043]; stainless steel A2 2× washers [8,4×20×1.2 mm], stainl. steel A2 Allen Bolt [M8×40], stainless steel A2 | 2002474 |

TerraGrif equipotential bonding

Equipotential bonding between module and rail.

Material: Stainless steel

| Type | Item number |
|-----------------------------------|-------------|
| TerraGrif K2Mi Landscape/Portrait | 2002649 |
| TerraGrif K2PA 32 Landscape | 2000055 |
| TerraGrif U17 Portrait | 2000056 |
| TerraGrif K2SZ Landscape/Portrait | 2001881 |
| TerraGrif S | 2002397 |



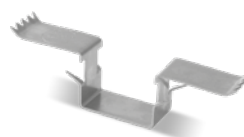
TerraGrif K2Mi



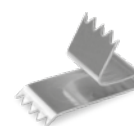
TerraGrif K2PA



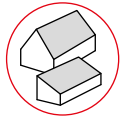
TerraGrif U17



TerraGrif K2SZ



TerraGrif S



Pad spacer

Shim to adjust height differences between rails and roof hooks of the K2 SingleHook and K2 CrossHook family. Any number of spacer shims can be stacked to provide customised height.

Material: Glass fibre reinforced PA, Material thickness: 2 mm
Item no.: 1002361



Height Compensator for aluminium roof hooks

Shim to compensate for batten height differences and adjustment of height under bracket of the K2 SingleHook and K2 CrossHook family.

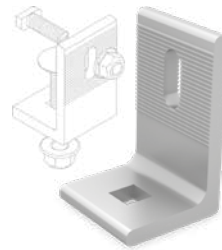
Material: Aluminium, Material thickness: 4 mm
Item no.: 2002332



L-Adapter SR Set

Connection set to attach the SingleRail to SolidHooks.

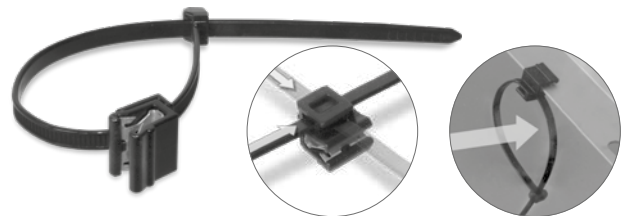
Material: Aluminium + stainless steel
Item no.: 2002683




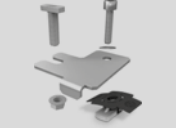
Cable Manager

Solar Cable Manager with connecting possibility for outdoor-installation L x W: 200 x 4.6 mm

Item no.: 2002870



CrossConnectors

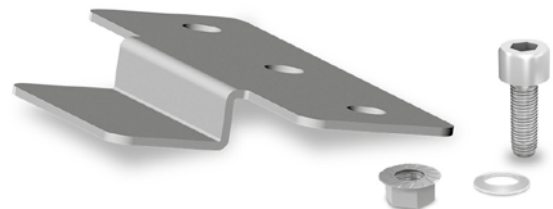
| Image | Type | Components | item number |
|---|-------------------------------------|--|-------------|
|  | SingleRail Climber 36/50 Set | <ul style="list-style-type: none"> ▪ Suitable for K2 SingleRail Light, 36 & 50 ▪ Screws and nuts included ▪ Material: Aluminium EN AW-6063 T66, stainless steel A2 | 2003145 |
|  | SolidRail CrossConnector Set | <ul style="list-style-type: none"> ▪ Set of components for a perpendicular connection of rails ▪ Suitable for K2 SolidRail Light, Medium and Alpine. ▪ Screws and nuts included ▪ Material: Stainless steel and PA | 1004110 |

StairPlate Set

With the K2 StairPlate Set, Micro Inverters and Optimizers from Solar Edge and Enphase can be hooked into all K2 rails [except K2 MiniRail and MicroRail] without bolting them directly to the roof. The units can be connected to the K2 StairPlate in advance with the screws and nuts included in the set and then flexibly moved in the mounting rail. The height of the modules and the units to be used must be taken into account.

Material: Stainless steel

Item number: 2004057



RailUp Set

Add-on for the K2 SpeedRail and K2 MultiRail System. The RailUp Set enables the modules to sit raised by 60 mm with a minimum of material. This facilitates the installation of the Micro Inverters. In addition, an optimal module rear ventilation and a higher module output on the trapezoidal sheet metal roof is achieved. RailUp is supplied as a set and requires no additional material for installation.

Item number: 2003191

